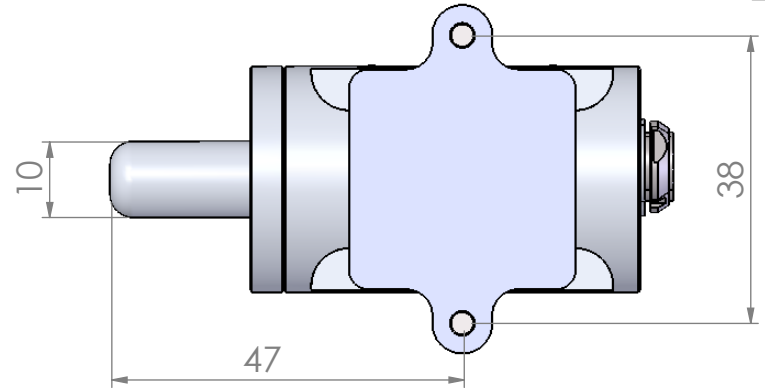
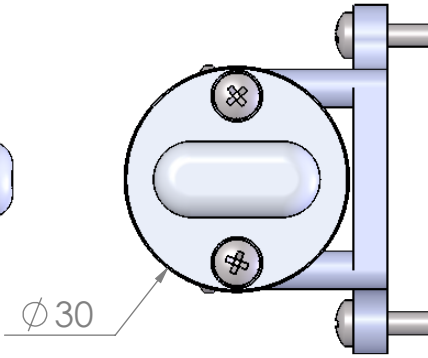
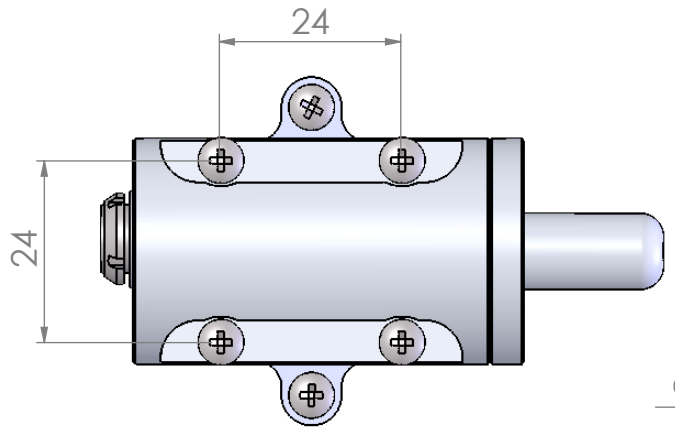
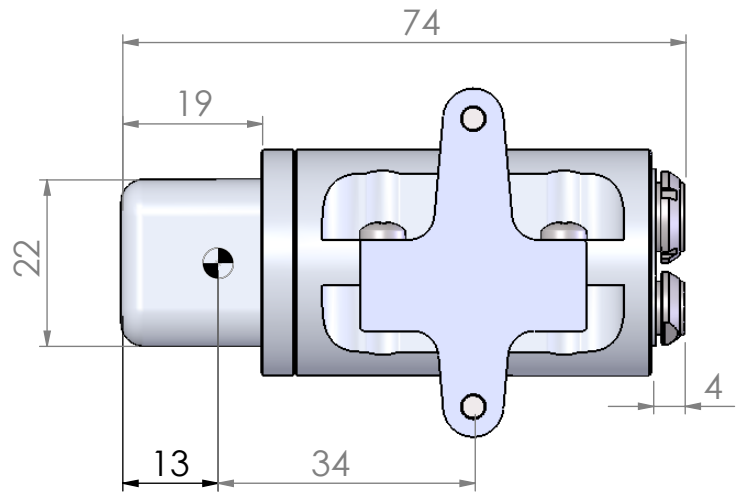
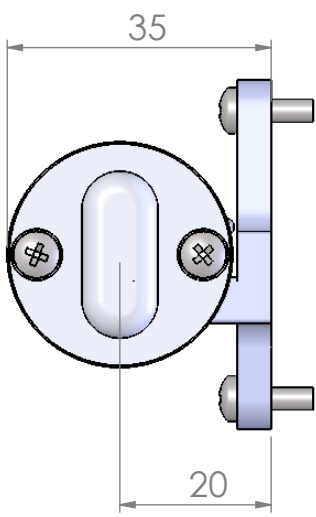
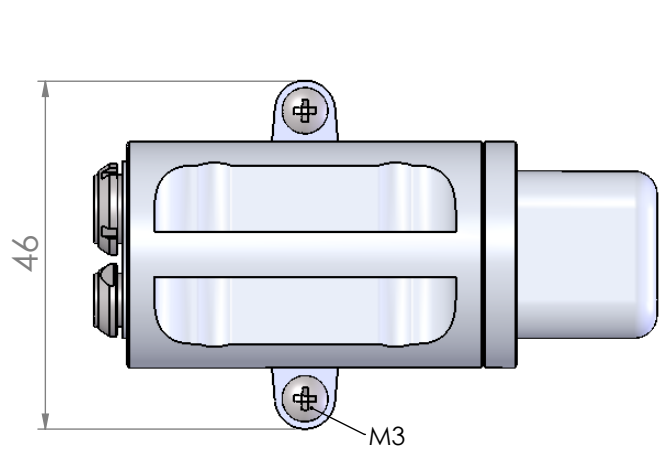


ISS	DETAIL OF REVISION		APP	DATE
A	NEW DRAWING		dcp	07.11.16



Cambridge Microfab Limited  
 Broadway, Bourn, Cambridge,  
 CB23 2TA

This drawing is confidential and must not be copied or disclosed to a third party without the written consent of Cambridge Microfab Limited.

TOLERANCES UNLESS OTHERWISE STATED

X ± 0.50 mm  
 X.X ± 0.20 mm  
 X.XX ± 0.10 mm  
 ANGULAR ± 5°

GENERAL SURFACE FINISH

1.6/√

ALL OVER

THIRD ANGLE PROJECTION

NOT TO SCALE DO NOT SCALE

ALL DIMENSIONS IN MILLIMETRES

DRAWN: dcp CHECKED:

TITLE: AT NEUTRON PROBE ASSEMBLY Mk3

MATERIAL:

MATERIAL GRADE: FINISH:

SHEET 1 OF 1

DRAWING NUMBER: 210230310

A4